



PRODUCT



MANUFACTURER

BEECH OVENS

MODEL NUMBER

RND1800

PRODUCT DESCRIPTION

Round Stone Hearth Oven – Wood/Gas fired.

Ext Diameter:

Int Diameter:

Height:

Ø2150mm.

Ø 1800mm.

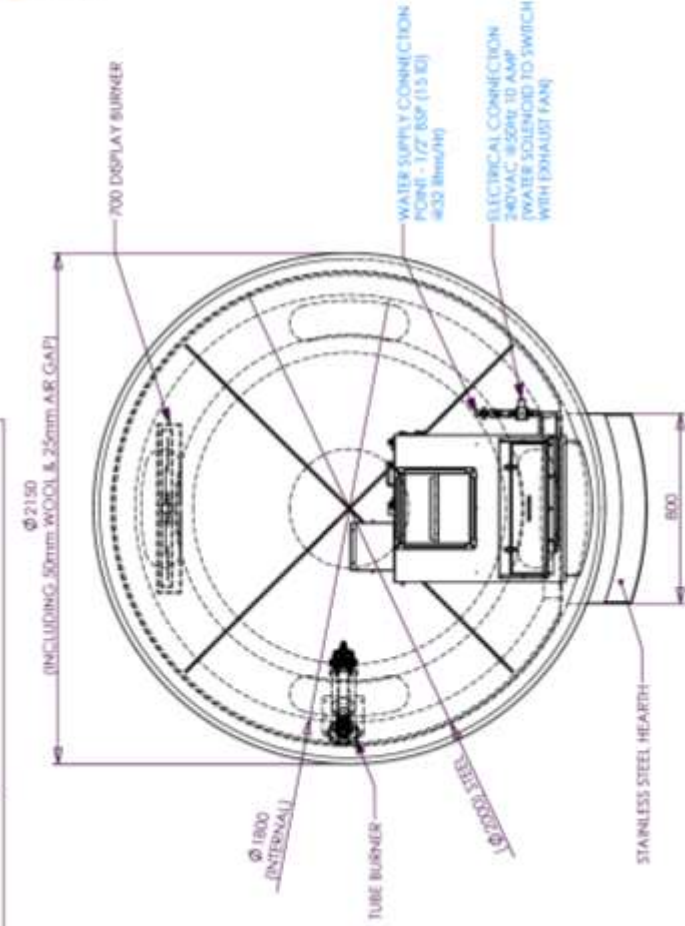
1730mm.

MANUFACTURED IN AUSTRALIA

www.beechovens.com

SPECIFICATIONS

Purpose	Wood/Gas Fired stone hearth oven for cooking Pizza and other dishes.
Construction	High grade castable ceramic encased in 5mm steel housing supplied in 2 major sections with removable legs. 50mm insulation covers oven body, 25mm air gap between insulation and non-combustible façade material. 75mm stone hearth floor above 25mm insulating board and 5mm plate.
Firing Type	Wood, Gas or Gas Back-up (<i>Wood and Gas</i>)
Gas	Gas Back-up - 80Mj NAT / 80Mj LPG (<i>Tube Burner</i>) Full Gas – 70Mj + 80Mj Nat / 70Mj + 80Mj LPG (<i>Display + Tube Burner</i>)
Exhaust Requirements	Under Canopy/Hood OR Beech Spray Filter (<i>Wet Scrubber</i>) OR Flue Transition.
MEP Ratings	Gas Connection – 19mm (3/4") line (1 per burner). Electrical – 220-240VAC @ 50Hz 1 Phase 10 AMP Spray Filter Water Inlet– 15mm @ 30 L/Hr. Spray Filter Water Outlet – 40mm Copper Drain – To drain via tundish visible to operator. Spray Filter Water Solenoid – 220-240VAC @ 50Hz 1 Phase 10AMP (<i>Linked to exhaust fan – Fan ON = Solenoid ON</i>) Spray Filter Exhaust Ratings – 300mm x 300mm connection, 130Pa Static Pressure, 700l/sec Spray Filter Cool air Make-up unit – Ensure a fresh air supply is available. No connection required.
Capacity	Cooks approximately 120 x 300mm pizzas per hour.
Accessories	Pizza Tools (<i>Pizza Peel, Spigot Brush, Brass Floor Brush, Bubble Hook, SS Rake and Shovel</i>) Stainless Steel Hearth (<i>Optional – shown in image</i>) Spray Filter (<i>Optional – shown in image</i>)
Safety	Oven and associated systems are CE and UL compliant. UL Tested to Subject 2162 (<i>Wood/Gas Fired</i>). Complies to USA "ANSI-NSF standard 4" Exterior temperatures below 50°C. Compliant Gas systems with flame failure device.
Special Requirements	Façade and Oven surround to be made of non-combustible material. Tube Burner Vent to be connected via ventilation panel in front façade panel below oven door (<i>See Installation and Operation Manual for details</i>) Access and ventilation panel to both above and below oven - minimum 600mm x 600mm Metal infill required between oven spigot and façade to prevent hot air and flames entering the façade cavity.

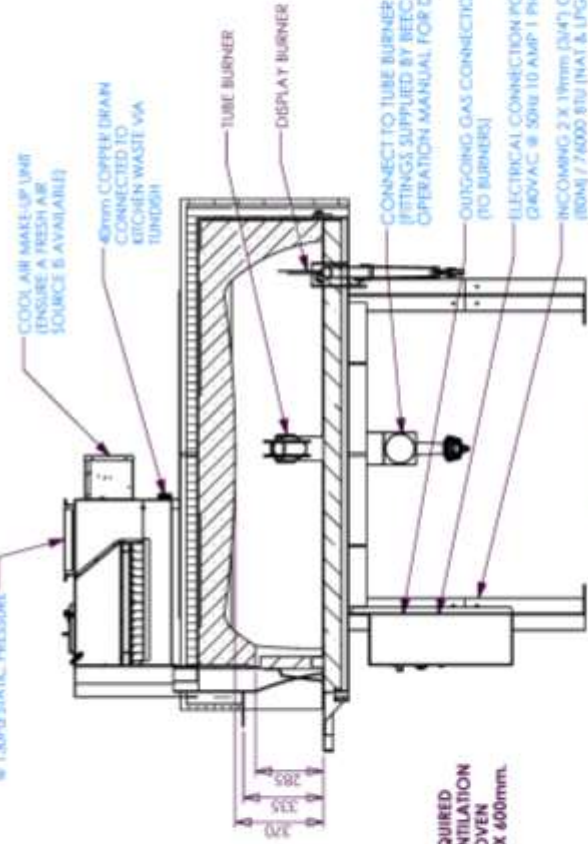
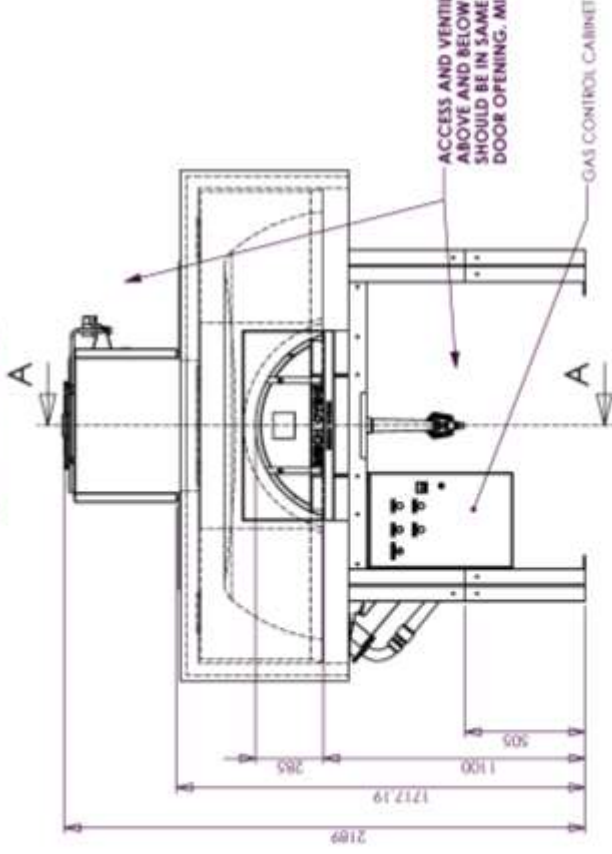
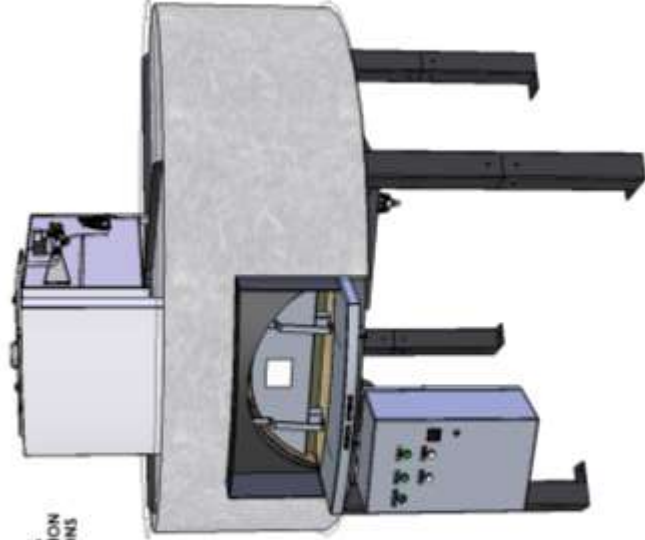


NOTE: THIS OVEN IS DELIVERED IN 2 MAIN SECTIONS, EACH WHICH ARE 2000mm IN DIAMETER AND MAY NOT FIT THROUGH STANDARD ACCESS PASSAGES, DOORWAYS OR ELEVATOR DOORS. PLEASE CONFIRM INSTALLATION ACCESS PRIOR TO ORDERING. THIS OVEN CAN BE SPLIT INTO 4 MAIN SECTIONS TO ASSIST INSTALLATION IF REQUIRED - EXTRA CHARGES APPLY.

NOTES:
 CONNECTION TO APPROVED FLE/DUCTING REQUIRED (CHECK LOCAL CODES AND REGULATIONS)
 SERVICES REQUIRED - SEE BLUE TEXT

THE OVEN IS DELIVERED IN THREE (3) SECTIONS:
 UPPER SECTION - Approx 1690kg
 BASE SECTION - Approx 835kg
 LEGS - Approx 10kg EACH

TOTAL WEIGHT = Approx 2575KG
 FOR INSTALLATION INSTRUCTIONS SEE INSTALLATION AND OPERATION MANUAL



EXHAUST REQUIREMENTS
 300mm X 300mm FLUE CONNECTION
 @ 200 Btu/hr (5820w/3.74W)
 @ 1.50Pa STATIC PRESSURE

COOL AIR MAKE-UP UNIT
 (ENSURE A FRESH AIR SOURCE IS AVAILABLE)

CONNECT TO TUBE BURNER VENT AT FRONT FACADE (FITTINGS SUPPLIED BY BEECH) - SEE INSTALLATION AND OPERATION MANUAL FOR DETAILS

ACCESS AND VENTILATION REQUIRED ABOVE AND BELOW OVEN. VENTILATION SHOULD BE IN SAME WALL AS OVEN DOOR OPENING. MIN 400mm X 400mm.

SECTION A-A

<p>BEECH OVENS Australia (617) 3397 0277</p>		Drawn S Trood Checked Scale 1:22 Date 6/02/2012	NTS - SITE MEASURE A3
ROUND OVEN Ø1800mm INTERNAL FGL (DISP REAR - TUBE BURNER LEFT) SPRAY FILTER SS HEARTH			
0 ISSUED FOR CONSTRUCTION REV. DESCRIPTION OF CHANGES	DATE CHANGED BY		
LAST EDITED: Monday, 6 February 2012 12:50:29 PM		©Copyright 200x Beech Ovens Pty Ltd. All rights reserved.	